

M12 male 0° / M12 male 90° 8p. shielded EN

TPE 4x2x24AWG SF/UTP CAT5e bu UL/CSA, CM 10m

Male 90° – male straight

M12 – M12, 8-pole

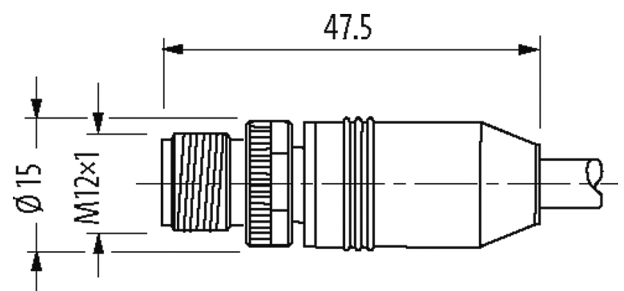
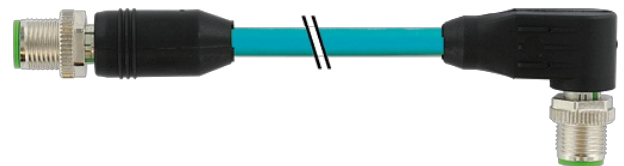
USA

Cable is approved for 600 V

Plastic housings with good resistance against chemicals and oils.

The resistance to aggressive media should be individually tested for your application. Further details on request.

Further cable lengths on request.

[Link to Product](#)**Illustration**

Product may differ from Image

Approvals

* only for products with UL/CSA approved cable

More Info**Form**

Form 48541

General data

Standards DIN EN 61076-2-101 (M12)

Mounting method inserted, tightened

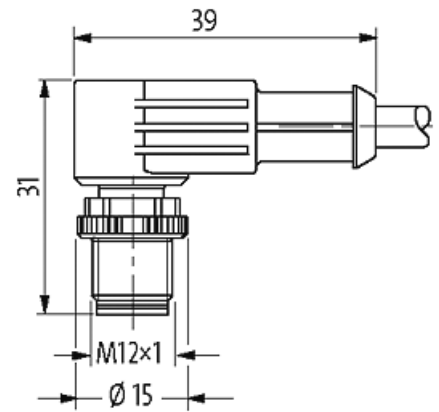
Pollution Degree 2

Temperature range -25...+85 °C, depending on cable quality

Cables

| | |
|---|--|
| No./diameter of wires | 4 × 2 × 0.25 mm ² |
| Wire isolation | HDPE (whbl, bl, whor, or, whgn, gn, whbr, br) |
| C-track properties | 1 Mio. |
| Jacket Color | blue |
| Material (jacket) | TPE (UL/CSA) |
| Outer Ø | 7.6 mm ±5% |
| Bend radius (moving) | 10× outer Ø |
| Temperature range (fixed) | -40...+80 °C |
| Temperature range (mobile) | -40...+80 °C |
| Cable identification | S4W |
| Cable weight [g/m] | 74,80 |
| Material (wire) | Cu wire, tin plated |
| Construction (core) | 7 × 0.203 mm |
| Diameter (core) | 4 × 2 × 0.25 mm ² |
| AWG | similar to AWG 24 |
| Material (wire isolation) | HDPE |
| Wire-Ø incl. isolation | 1.17 mm ±5% |
| Color/numbering of wires | (wh-bl, bl) + (wh-or, or) + (wh-gn, gn) + (wh-br, br) |
| Shield | yes |
| | min. 75% |
| Material (jacket) | TPE |
| Outer-Ø (jacket) | 7.6 mm ±5% |
| Color (jacket) | (wh-bl, bl) + (wh-or, or) + (wh-gn, gn) + (wh-br, br) |
| Temperature range (fixed) | -40...+80 °C |
| Temperature range (mobile) | -40...+80 °C |
| Bend radius (fixed) | 5× outer Ø |
| No. of bending cycles (C-track) | max. 1 Mio. (25 °C) |
| Torsion stress | 3 Mio. |
| Technical Data | |
| Operating voltage | max. 60 V AC/DC |
| Operating voltage (only UL listed) | 30 V AC/DC |
| Rated surge voltage | 0.8 kV |
| Operating current per contact | max. 2 A |
| Material group | IEC 60664-1, category I |
| No. of poles | 8 |
| Configuration | fully used |
| Transfer parameters | CAT5, Class D (ISO/IEC 11801:2002), (EN 50173-1) |
| Transfer rate | 1 Gbit/s |
| Coding | A-coded |
| LED display | no |
| Locking of ports | Screw thread (M12×1 mm) recommended torque 0.6 Nm, self-securing |
| Compression gland | M12 (SW13) |
| Protection | IP65 and IP67 when plugged and screwed down (EN 60529) |
| Locking material | Zinc die casting, matte nickel plated |
| Material | PUR |
| suitable for corrugated tube (internal Ø) | without |
| Commercial data | |

| | |
|-----------------------|---------------|
| country of origin | DE |
| customs tariff number | 85444290 |
| EAN | 4048879603294 |
| eClass | 27061801 |
| Packaging unit | 1 |

Sketch

Product may differ from Image